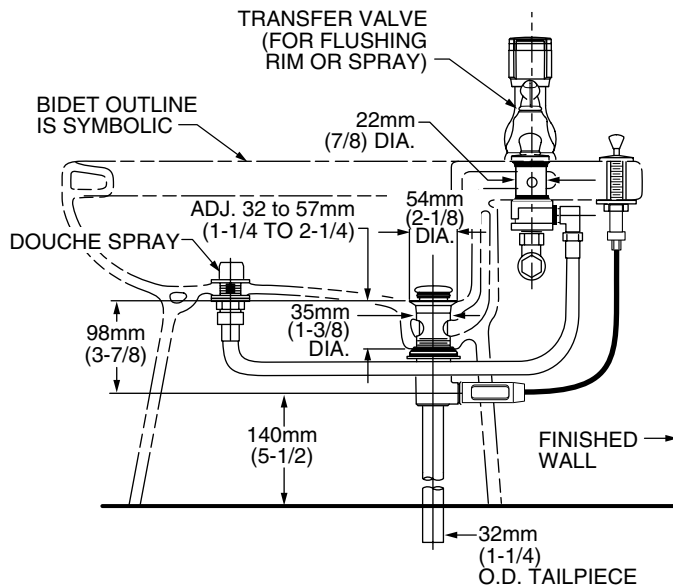
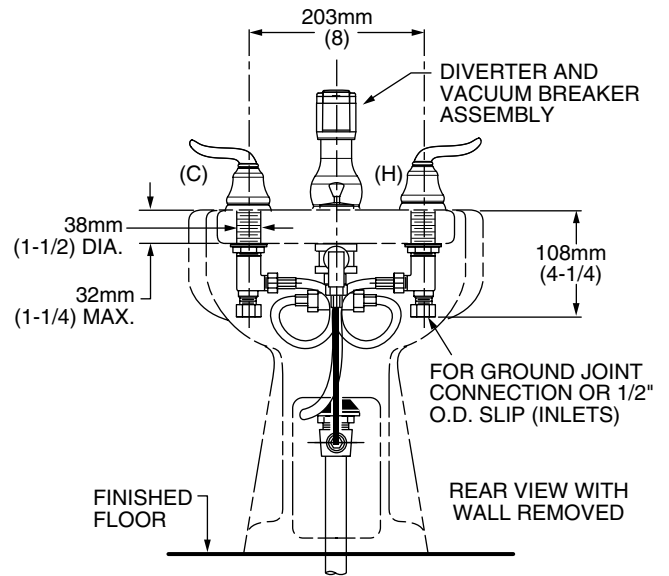


4508.401 Shown



MODEL NUMBER:

- ❑ **4508.401 Fixture-Mounted Bidet Fitting**
Vacuum breaker. Metal Speed Connect™ Pop-up drain. Metal lever handles.
- ❑ **4508.400 Fixture-Mounted Bidet Fitting**
Less vacuum breaker. Metal Speed Connect™ Pop-up drain. Metal lever handles.



GENERAL DESCRIPTION:

Cast brass valve bodies. 1/4 turn washerless ceramic disc valve cartridges. Diverter controls water flow between douche spray and flushing rim. Douche spray has built-in spray height adjustment. 20" (500mm) long flexible stainless steel drain cable is pre-assembled to lift rod assembly. Metal Speed Connect™ drain body with 1-1/4" (32mm) tail piece.

PRODUCT FEATURES:

Brass Construction: Durable - Excellent in high use applications. Ideal for prolonged contact with water.

Ceramic Disc Valve Cartridges: Assures a lifetime of smooth handle operation and drip-free performance.

Exclusive Speed Connect Metal Drain:

- Fewer Parts - installs in less time.
- No adjustments required - seals the first time, every time.
- Flexible stainless steel cable - installs effortlessly in tight spaces.

Choice of Finishes: Available in Polished Chrome (002) and Satin Nickel (295) finishes.

SUGGESTED SPECIFICATION:


Two handle deck-mount bidet fitting with matching pop-up drain shall feature solid brass construction. Shall also feature 1/4 turn washerless ceramic disc valve cartridges. Shall also feature a metal drain body with stainless steel cable actuation. Fitting shall be American Standard Model #7038.40_._.

CODES AND STANDARDS

These products meet or exceed the following codes and standards:

- ASME A112.18.1**
- CSA B 125**
- ASSE 1001 - 4508.401 only**

| Product Number | Description | Finish Options | | |
|----------------|---|-----------------|----------------------|------------------|
| | | Polished Chrome | PVD Blackened Bronze | PVD Satin Nickel |
| | | 002 | 068 | 295 |
| 4508.401 | Fixture-mounted bidet fitting. Vacuum breaker. Metal Speed Connect™ Pop-up drain. Metal lever handles. | | | |
| 4508.400 | Fixture-mounted bidet fitting. LESS Vacuum breaker. Metal Speed Connect™ Pop-up drain. Metal lever handles. | | | |

 Meets the American Disabilities Act Guidelines and **ANSI A117.1** Requirements for the physically challenged.